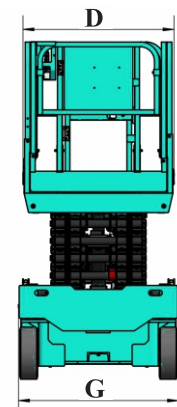
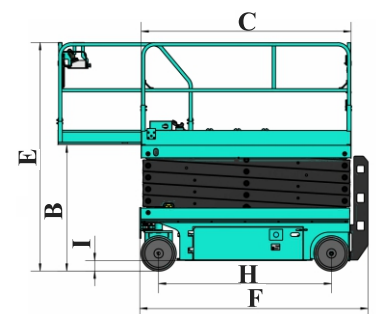
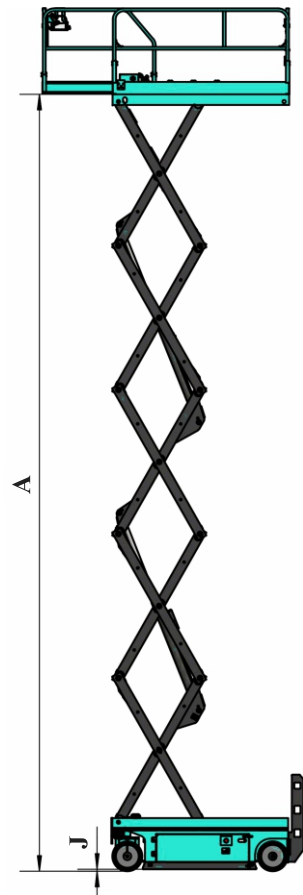


SWSL1412HD

Self-Propelled Scissor Lifts

SUNWARD

Dimension		
Working height*		45'3" (13.8m)
A	Platform height maximum	38'8.5" (11.8m)
B	Platform height (stowed)	4'10" (1.47m)
C	Platform length	7'5.5" (2.27m)
	Slide-out platform extension deck	3' (0.9m)
D	Platform width	3'7" (1.1m)
E	Stowed height (rails up)	8'5" (2.57m)
	Stowed height (rails down)	6'3.5" (1.92m)
F	Overall length	8'1" (2.47m)
G	Overall width	3'10" (1.17m)
H	Wheelbase	6'1.6" (1.87m)
I	Ground clearance (stowed)	0.75" (0.02m)
J	Ground clearance (raised)	4.3" (0.11m)
Performance		
Lift capacity		770 lb (350kg)
Lift capacity(extension deck)		250 lb (113kg)
Max.platform pccupancy (indoor/outdoor)		3/0
Drive speed (stowed)		2 mph (3.2km/h)
Drive speed (elevated)		0.5 mph (0.8km/h)
Turning radius (inside)		3.94" (0.1m)
Turning radius (outside)		7'3" (2.2m)
Raise / lower speed		65s / 40s
Gradeability**		25%
Controls		Proportional
Wheel driver		Dual front wheel
Multiple disc brakes		Dual rear wheel
Tires		15×5 (381mm×129mm)
Battery		4x12V/300Ah
Charger		24V/30A
Hydraulic tank capacity		5.3gal
Weight		7055 lb (3200kg)



* Working height is equal to Platform height plus 2.

** climbing ability is suitable for driving on slopes; Refer to Operator Manual for slope level.

SWSL1412HD

Self-Propelled Scissor Lifts



Standard features

- | | |
|-------------------------------|------------------------------------|
| • Proportional controls | • Flashing beacon |
| • Extended platform | • All motion alarm |
| • Folding guardrails Platform | • Emergency stop button |
| • Self-lock gate on platform | • Automatic brakes system |
| • Emergency lowering system | • Active pothole protection system |
| • Hour meter | • Tilt sensor with alarm |
| • Safety brackets | • Charging protection system |
| • Horn | • Onboard diagnostic system |

Accessories & Options

- | | |
|------------------------|----------------------------|
| • Air line to platform | • Platform work lights |
| • AC power to platform | • Maintenance-free battery |
| • GPS tracking system | |



SUNWARD

SUNWARD INTELLIGENT EQUIPMENT CO.,LTD.

Add: Sunward Intelligent Industrial Park, Xingsha, Changsha, 410100, China.

Tel: (0086-731) 83572 828

E-mail: international@sunward.com.cn

Web: www.sunward.com.cn