

SWSLO807HD

Electric Hydraulic-drive Scissor-type Aerial Work Platform

SUNWARD

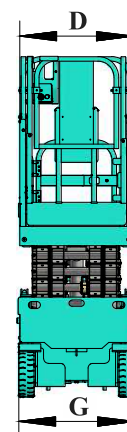
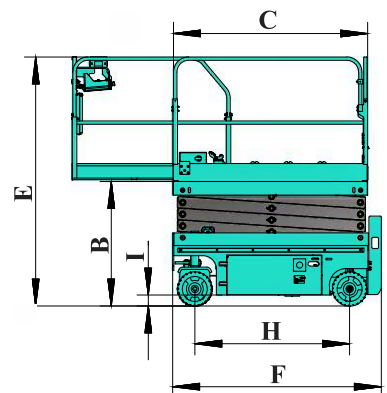
Dimension

Working height*		8m
A	Platform height maximum	6m
B	Platform height (stowed)	1.1m
C	Platform length	1.73m
	Slide-out platform extension deck	0.9m
D	Platform width	0.74m
E	Stowed height (rails up)	2.22m
	Stowed height (rails down)	1.8m
F	Overall length	1.86m
G	Overall width	0.76m
H	Wheelbase	1.38m
I	Ground clearance (stowed)	0.02m
J	Ground clearance (raised)	0.1m



Performance

Lift capacity	230kg
Lift capacity (extension deck)	113kg
Max. platform occupancy	2
Drive speed (stowed)	3.3km/h
Drive speed (elevated)	0.8km/h
Turning radius (inside)	0.1m
Turning radius (outside)	1.67m
Raise / lower speed	18s / 22s
Gradeability*	25%
Maximum allowable working angle (lateral / longitudinal)	1.5° / 3°
Controls	Proportional
Wheel driver	Dual front wheel
Multiple disc brakes	Dual rear wheel
Tyre-solid without imprint (outer diameter×width)	305mm×100mm
Battery	4×6V/240Ah
Charger	24V/30A
Hydraulic tank capacity	8L
Weight	1549kg



* Working height is equal to Platform height plus 2m.

* Climbing ability is suitable for driving on slopes; Refer to Operator Manual for slope level.

SWSL0807HD

Electric Hydraulic-drive Scissor-type Aerial Work Platform



Standard features

◆ Proportional control	◆ Unidirectional extension platform	◆ Folding fence	◆ Platform self-locking door
◆ Work schedule	◆ Standard transport forklift hole	◆ Safe maintenance support rod	◆ Horn
◆ Strobe light	◆ Strobe Action buzzer	◆ Oil pipe explosion-proof system	◆ Emergency descending system
◆ Emergency stop system	◆ Automatic brake system	◆ Automatic pit protection	◆ Tilt protection system
◆ Charging protection system	◆ Fault diagnosis system	◆ Full-travel walking	

Options features

◆ Air line to platform	◆ AC power to platform	◆ GPS tracking system	◆ Platform work lights
◆ Biodegradable hydraulic oil	◆ Maintenance-free battery		

SUNWARD

SUNWARD INTELLIGENT EQUIPMENT CO.,LTD.

Add: Sunward Industrial Park, No. 1335 Liangtang Road (E), Xingsha, Changsha, Hunan, China.
Tel: +86 731 8640 7779 E-mail: marketing@sunward.cc Web: www.sunward.com.cn